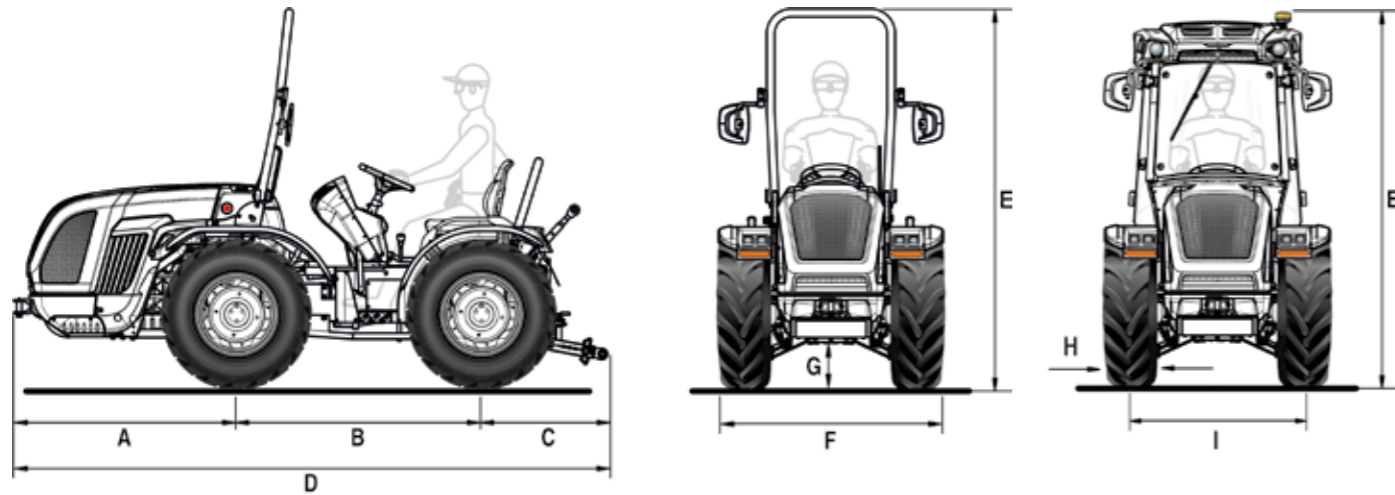


MIZAR 70 RS

Data Sheet



A	B	C	D	E min/max (with roll-bar)	E min/max (with cab)	F min/max	G min/max
1314	1480	735	3529	2215 / 2300	2145 / 2230	1150 / 1764	214 / 299

Dimensions in mm

	7.00-18	250/80-18	280/70 R18	280/70 R18 Garden	280/70 R18	280/70 R18 Garden	320/65 R18	340/65 R18 *	260/70 R20
	with fixed rim	with adjustable rim	with fixed rim	with fixed rim	with adjustable rim	with adjustable rim	with adjustable rim	with adjustable rim	with adjustable rim
H	178	240	265	265	282	282	319	343	258
I	972	996 / 1312	1005	1005	1074 / 1324	1074 / 1324	1074 / 1324	1082 / 1324	1051 / 1325
F	1150	1236 / 1552	1270	1270	1356 / 1606	1356 / 1606	1393 / 1643	1425 / 1667	1309 / 1583

	31x15.50-15 XTC	31x15.50-15 STG	33x15.50-15 XTC	280/70 R20 *	280/70 R20 *	280/70 R20 * PneuTrac	250/85 R20 * (9.50-20)	300/70 R20 *	300/70 R20 * Garden
	with fixed rim	with fixed rim	with fixed rim	with fixed rim	with adjustable rim	with adjustable rim	with adjustable rim	with adjustable rim	with adjustable rim
H	368	394	391	270	282	286	250	286	286
I	1208	1208	1208	1026	1100 / 1448	1062 / 1410	1100 / 1448	1098 / 1478	1098 / 1478
F	1576	1602	1599	1296	1382 / 1730	1348 / 1696	1244 / 1698	1384 / 1764	1384 / 1764

Dimensions in mm - min / max
H = Tyre width - I = Wheel track - F = Tractor width

* Oversized planetary reduction units

TECHNICAL FEATURES	MIZAR 70 RS
ENGINE	Kohler KDI 2504 TCR Diesel common rail direct injection Turbo intercooler 4 in-line cylinders 16 valves 2482 cc Liquid cooling Stage V
Power	46 kW / 63 hp @2600 rpm Max torque 205 Nm@1500 rpm
Engine speed management	Electronically regulated with hand throttle knob and button with functions for: memorize/recall/exclude the set engine speed
CHASSIS	Swinging integral chassis (±15°) OS-FRAME with steering wheels
DRIVE	Permanent four-wheel drive
TRANSMISSION	24-speed synchronised gearbox: 12 FWD and 12 REV with synchronised reverser
Min/max travel speed (km/h)	0.7 / 35
Transmission clutch	Multidisc in oil bath with electronically-managed and proportional hydraulic control. Power Clutch System button for engaging gears and reverser without using the clutch pedal. PRO-ACT System clutch pedal with Easy Plus™ assisted engagement. Smart Brake & Go function for automatic clutch management only with the brake pedal.
DIFFERENTIAL	Front and rear with simultaneous locking and electro-hydraulic control
AXLES	Front and rear with planetary reduction units - Optional: oversized planetary reduction units
REAR PTO	Independent from the gearbox and synchronised with forwarding speed. Negative safety hydraulic brake to stop the PTO
PTO clutch	Multidisc in oil bath with electro-hydraulic control
PTO rotation speed (rpm)	540/540E
HYDRAULIC SYSTEM	Dual circuit with independent pumps and heat exchanger
Hydraulic pump flow rate of the power steering and electro-hydraulic controls (l/min)	13
Hydraulic pump flow rate of the lift and control valves (l/min)	37 (optional circuit with increased flow rate 48 l/min)
Maximum hydraulic pressure (bar)	180
REAR CONTROL VALVES	Mechanically controlled
Standard	1 double-acting with float and free flow oil return (total 3 hydraulic outlets)
Optional and in addition to the standard ones	With rear up/down lift: up to 11 hydraulic outlets in total - With draft-controlled rear lift: up to 7 hydraulic outlets in total
Joystick (optional)	Proportional electronic control of rear lift and control valves consisting of: 1 continuous flow with adjustable flow rate and free flow oil return, 4 double-acting (replacing the standard ones) and circuit with increased flow rate 48 l/min (total 10 hydraulic outlets). Potentiometer for adjusting joystick sensibility. Remote control for PTO engagement. Storage armrest
REAR LIFT	By two external cylinders. Standard: up/down lift - Optional: position and draft-controlled
Three-point implement hitch	Standard: normal couplings cat. 1 - Optional: quick-couplings cat. 1 (arms not adjustable in length) or quick-couplings cat. 1 and 2, L-shaped, arms adjustable in length and hooks adjustable in width
Third point tie rod	Standard: with manual adjustment - Optional: hydraulically controlled upper link and tie rod link arm (only for lift with L-shaped arms cat. 1 and 2)
Ball joint lifting capacity (kg)	1900
DRIVING POSITION	Reversible with rotating platform suspended on silent blocks. Suspended pedals mounted on the rotating control tower
Steering wheel	Height adjustable
Seat	With gas spring for easy tipping, safety belt and man-on-board sensor. Standard: comfort seat with adjustable spring tension according to the operator's weight - Optional: 'Grammer' or 'Cobo' pneumatic seat
SERVICE BRAKES	Oil bath discs with hydrostatic control, acting on the rear wheels. Independent manoeuvring brakes acting on the rear wheels
Parking brake	With handle acting on service brakes
STEERING	Hydrostatic steering acting on the front wheels. Flow deviator for steering unit
SAFETY	Front homologated roll-bar with gas spring for easy lowering and lifting
CABIN (optional)	Soundproofed, ROPS and FOPS homologated. Monocoque body with a 4-upright conical structure suspended on silent block. LED beacon lamp, fabric seat, USB car radio with speaker phone and sound diffusers, 2 USB outlets. Available with ventilation and heating system (VISTA model) or with air-conditioning, pressurised and category 4 certified (VISTA PRO model). FULL LED working lights on four sides, optional on VISTA and standard on VISTA PRO. Optional: active carbon filters for category 4
DASHBOARD	Instrument panel with analogue gauges and TFT digital colour display. Warning lights and horn
ELECTRIC SYSTEM	Battery 80 Ah / 12 V - Alternator 95 A
Standard equipment	Vehicle Control Unit, FULL LED street light and indicator system, front LED working lights, rear 7-pin for trailer and 3-pin sockets
TYRES	7.00-18 * 250/80-18 * 280/70R18 * 280/70R18 Garden * 320/65R18 * 340/65R18 * 260/70R20 * 31x15.50-15 XTC or STG * 33x15.50-15 XTC * 300/70R20 * 300/70R20 Garden * 250/85R20 * 280/70R20 * 280/70R20 PneuTrac
TOW HOOKS	Standard: front and rear CUNA cat. C adjustable in height - Optional: rear tow hook EC approved or EC with Slider frame or CUNA with Slider frame or EC tow bar with Slider frame
RUNNING ORDER WEIGHT	With roll-bar: 1830 kg - With cabin: 1960 kg
ADDITIONAL OPTIONS	Front bumper, beacon lamp, rear adjustable working light, Self Cleaning System™, front weights 110 kg, wheel weights 45 kg each (for 18" wheels) and 50 kg each (for 20" wheels), Dual Floating System™ hydraulic suspension. Silver and bordeaux 'Special Edition' livery